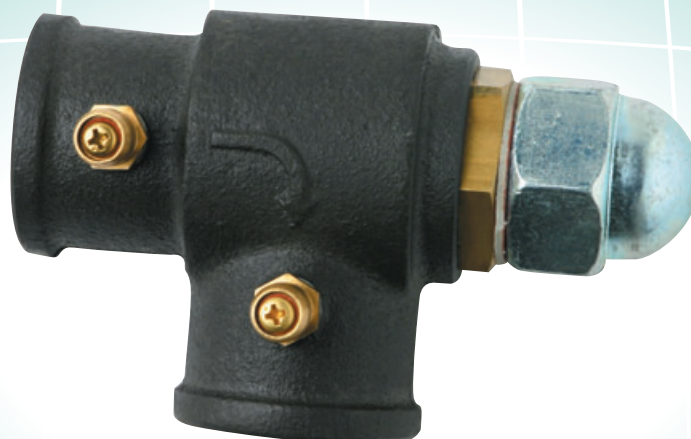


NEEDLE VALVE

NV- $\frac{1}{2}$ NV- $\frac{3}{4}$ NV-1 NV-1 $\frac{1}{4}$ NV-1 $\frac{1}{2}$ NV-2 NV-3



● FEATURES

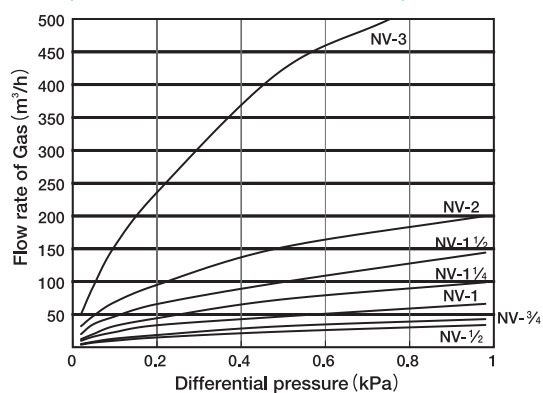
This is the Needle Valve for micro-adjustment of the flow rate of a gas or air.

The Valve can also be used for adjusting any variances between the pressure of each Burner in case of concurrent control of plural number of Burners.

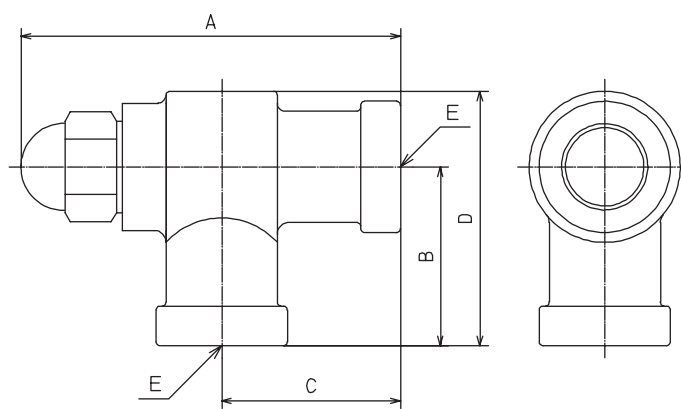
The Valve shall be installed after the Control valve, and it is better to attach the valve to anywhere as near to the Burner as possible.

● DATA

Relation between Flow rate of Gas (13A)
and Differential pressure
(In case of Full admission Valve)



● OUTER CONFIGURATIONS



● SPECIFICATIONS

Model No.		NV- $\frac{1}{2}$	NV- $\frac{3}{4}$	NV-1	NV-1 $\frac{1}{4}$	NV-1 $\frac{1}{2}$	NV-2	NV-3	Remarks
Outside dimensions	A (mm)	100.5	112.5	129	145	173.5	199	307	
	B (mm)	45	48	54	63	75	90	150	
	C (mm)	45	48	54	63	75	90	150	
	D (mm)	64	71	82	96	112	136	242	
Connector diameter	E	PT $\frac{1}{2}$ B	PT $\frac{3}{4}$ B	PT1B	PT1 $\frac{1}{4}$ B	PT1 $\frac{1}{2}$ B	PT2B	JIS10K	
Weight (kg)		0.5	0.8	1.3	1.8	2.8	4.7	19.0	

NARITA Outline of NARITA Group Companies

□ NARITA SEISAKUSHO CO.,LTD.

91, Tomishiro, Simotsuya, Kumiyama-cho, Kuse-gun, Kyoto
613-0035, JAPAN

Phone: +81-774-43-5811 Facsimile: +81-774-44-1103

Web Site: <http://www.narita-mfg.co.jp/>

Email: narita-inf@narita-mfg.co.jp

□ NARITA TECHNO CO.,LTD.

20, Kamijinya-cho, Seto, Aichi 489-0063, JAPAN

Phone: +81-561-21-1111 Facsimile: +81-561-21-1112

Web Site: <http://www.naritatechno.co.jp/>

Email: info@naritaseitosh.co.jp

□ NARITA SEITOSHO CO.,LTD.

70, Dosen-cho, Seto, Aichi 489-8680, JAPAN

Phone: +81-561-82-6138 Facsimile: +81-561-84-9677

Web Site: <http://www.naritaseitosh.co.jp/>

Email: webmaster@naritaseitosh.co.jp